



COMMISSION INTERNATIONALE DE KARTING - FIA

LISTE TECHNIQUE - HOMOLOGATION ALLUMAGES, CARBURATEURS, SILENCIEUX D'ASPIRATION, MOTEURS (MINI)
CARBURETTORS, IGNITIONS, INTAKE SILENCERS, ENGINES HOMOLOGATION - TECHNICAL LIST (MINI)
2020-2021



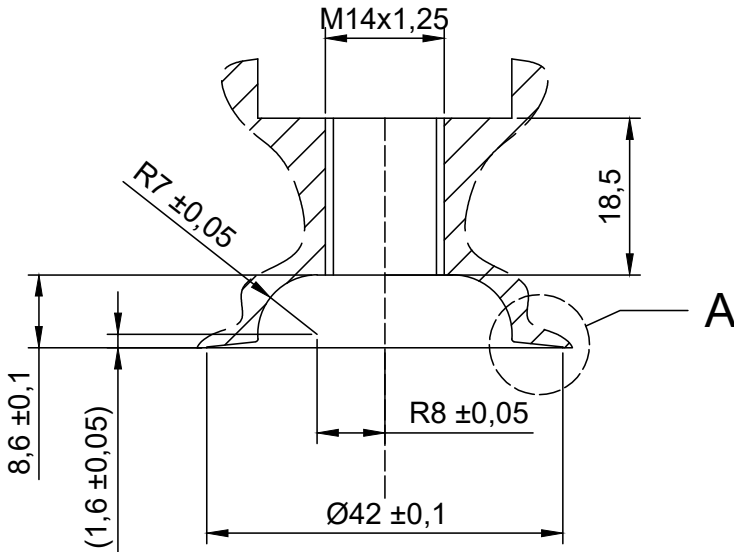
| Demandeur Applicant | Pays ASN | Matériel Equipment | Marque Make | Modèle Model | Type Type | N° Homolog. Homolog. No. |
|--------------------------------------|---------------------|-------------------------------|------------------------|-------------------------|----------------------|-------------------------------------|
| Dell'Orto SpA | ITA | Carburettor | Dell'Orto | PHBG 18BS | MINI | 054-CA-55-ER01 |
| IAME SpA - SU | ITA | Engine | IAME | GR-3 | MINI | 040-EM-12 |
| KG Sas | ITA | Intake Silencer | KG | Kube | MINI | 003-SI-12 |
| KG Sas | ITA | Intake Silencer | KG | Shark | MINI | 003-SI-78 |
| Lenzokart Srl | ITA | Intake Silencer | LKE | K3 | MINI | 033-SI-33 |
| Lenzokart Srl | ITA | Engine | LKE | R15 | MINI | 033-EM-66 |
| OTK Kart Group Srl | ITA | Engine | Vortex | MCX | MINI | 012-EM-65 |
| PVL Electronic & Electrotechnik GmbH | DEU | Ignition | PVL | 660 | MINI | 036-IG-15 |
| Righetti Ridolfi SPA | ITA | Intake Silencer | Righetti Ridolfi | Alien | MINI | 005-SI-19 |
| Selettra Srl | ITA | Ignition | Selettra | LP 2316 | MINI | 034-IG-75 |
| TM Racing SpA | ITA | Engine | TM Racing | MINI 2 | MINI | 041-EM-51 |

DESSIN TECHNIQUE N°25

TECHNICAL DRAWING No. 25

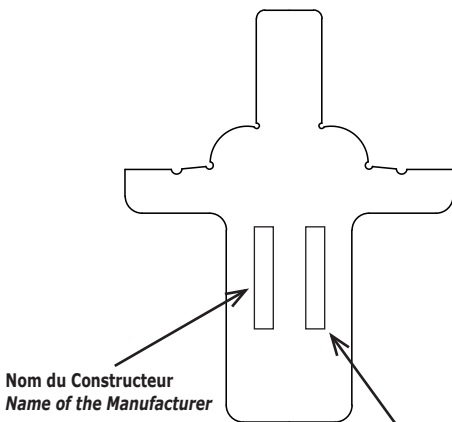
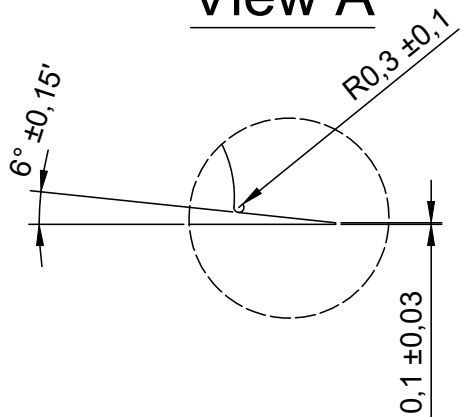
Chambre de combustion (Mini)

Combustion chamber (Mini)



Cotes en mm
Dimensions in mm

View A

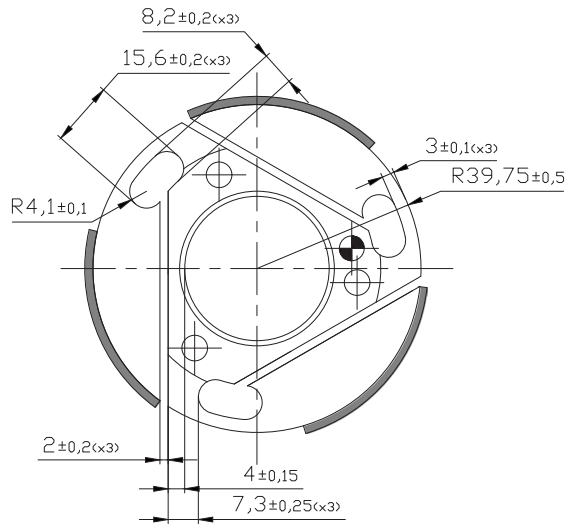
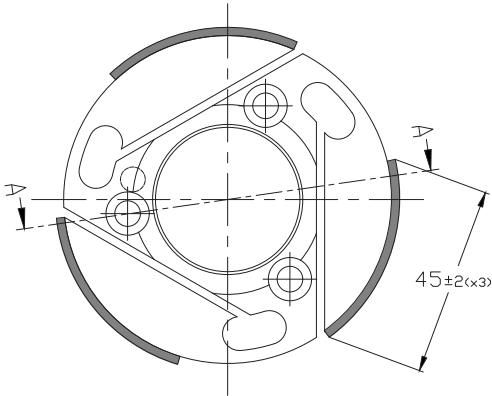


DESSIN TECHNIQUE N°26

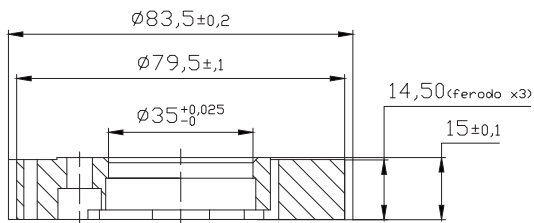
Embrayage (Mini)

TECHNICAL DRAWING No. 26

Clutch (Mini)



A-A



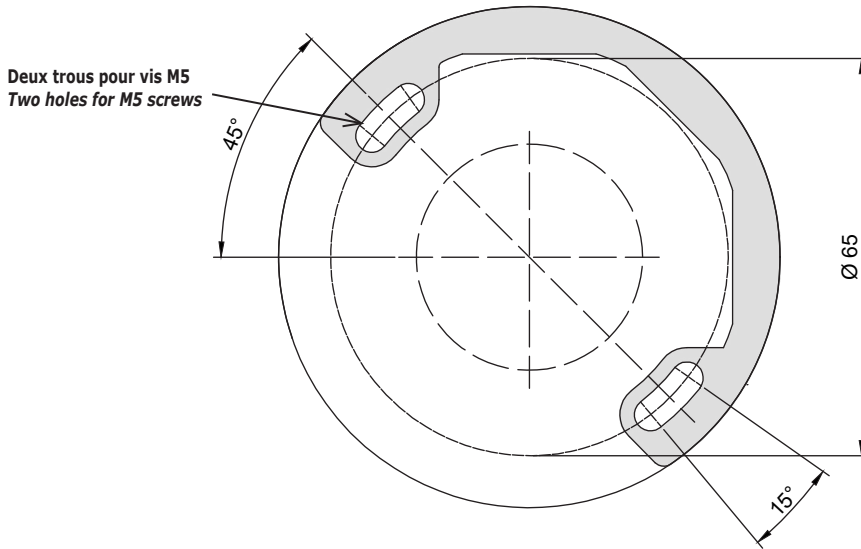
Cotes en mm
Dimensions in mm

DESSIN TECHNIQUE N°27

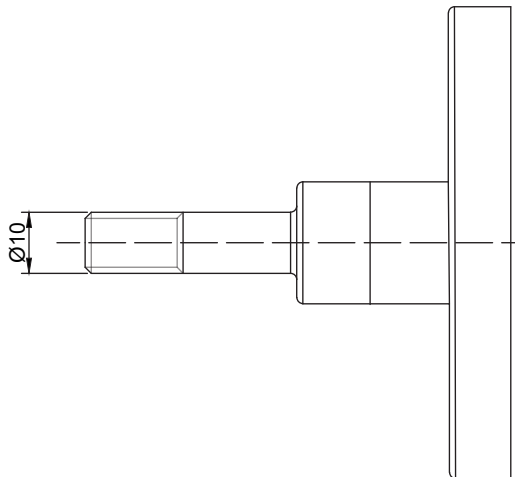
TECHNICAL DRAWING No. 27

Schéma de principe avec dimensions obligatoires pour la fixation du rotor et du stator des allumages (Mini)

Diagram with mandatory dimensions for the attachment of the rotor and stator of ignition (Mini)



Cotes en mm
Dimensions in mm



DESSIN TECHNIQUE N°28

TECHNICAL DRAWING No. 28

Echappement monotype spécifique (Mini)

Specific monotype exhaust (Mini)

